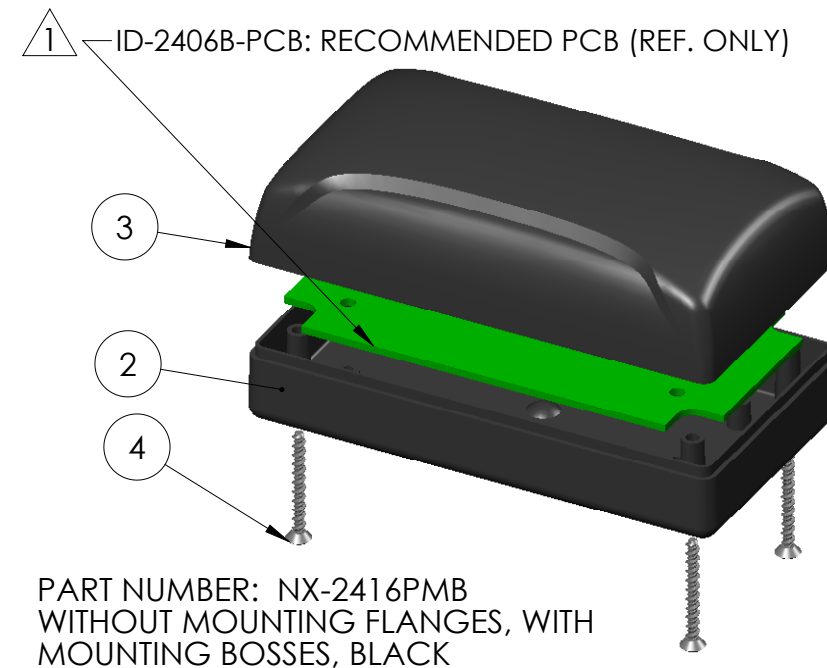
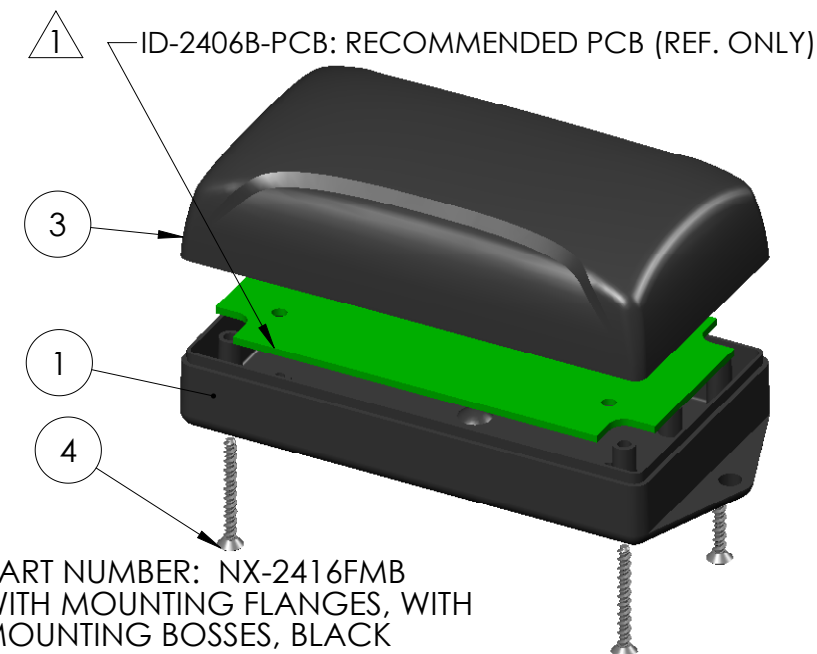
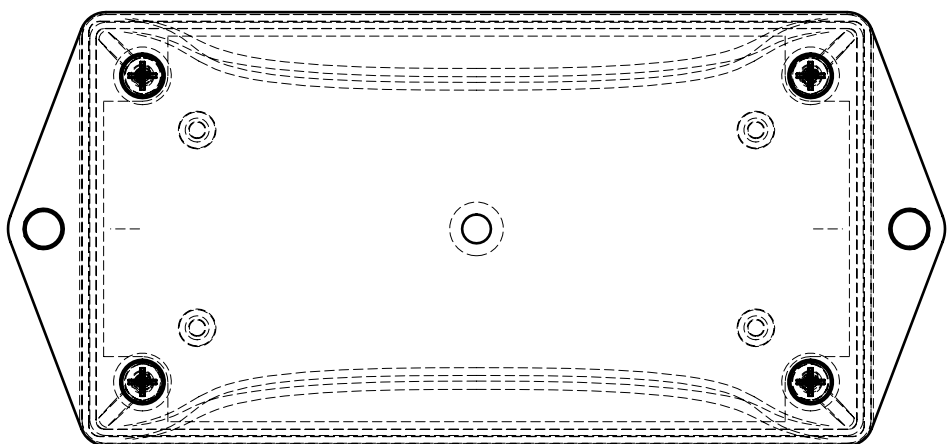
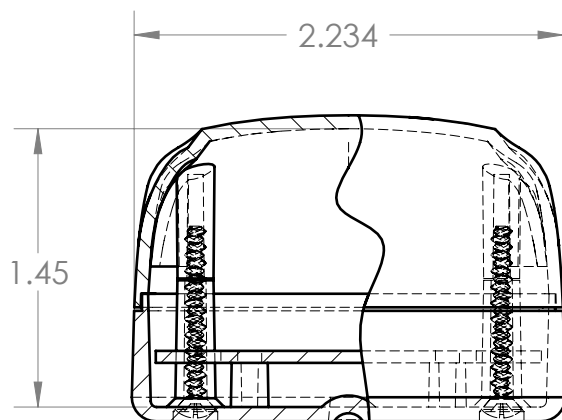
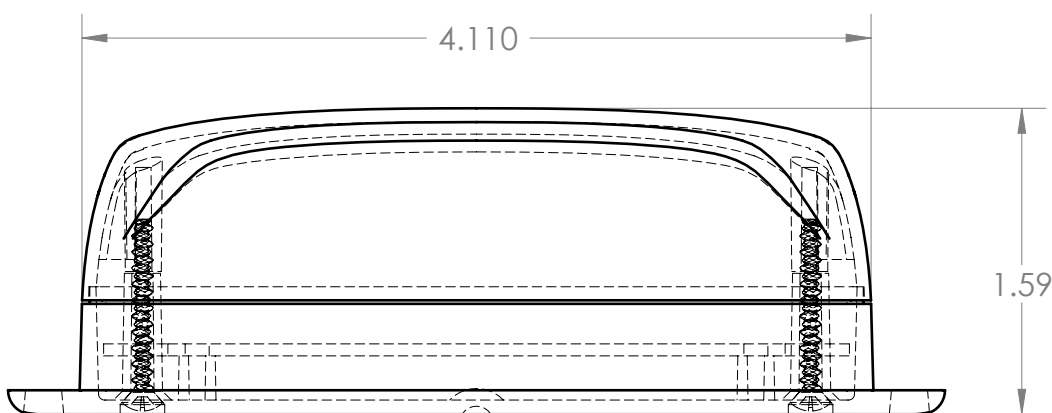
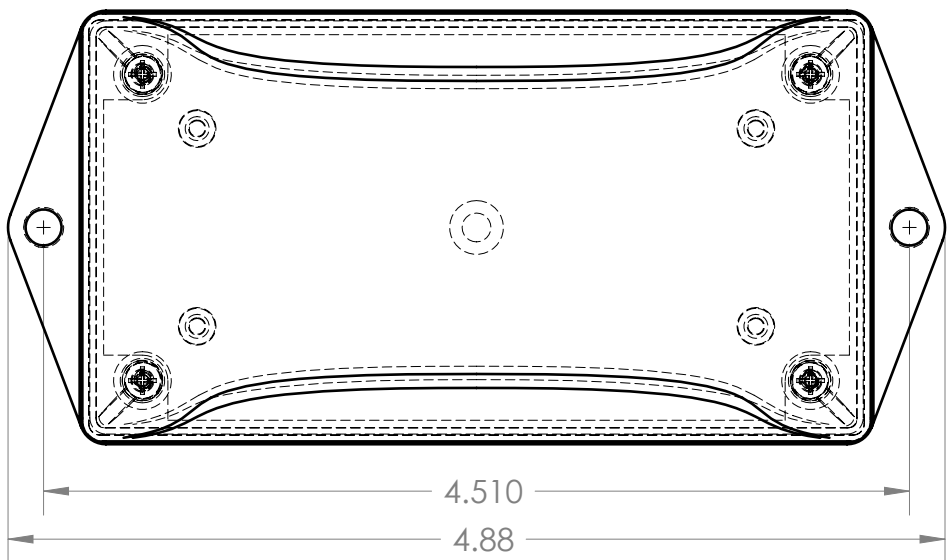


BOM Table				
ITEM NO.	PART NUMBER	DESCRIPTION	NX-2416FMB/QTY.	NX-2416PMB/QTY.
1	ID-2406BFMB	BASE WITH MOUNTING FLANGES, WITH MOUNTING BOSSES, BLACK	1	-
2	ID-2406PMB	BASE WITHOUT MOUNTING FLANGES, WITH MOUNTING BOSSES, BLACK	-	1
3	GS-2410BP	CASE, BLACK	1	1
4	SCREWS-HL1-BR	THREAD FORMING ASS'Y SCREW: 1.00 INCH	4	4

- NOTES:
 1. PC BOARD BOSSES WILL ACCEPT A 4-1/4 THREAD FORMING SCREW (SCREWS AVAILABLE FROM POLYCASE)
 2. BASE OPTIONS: WITH FLANGE, WITHOUT FLANGE
 3. AVAILABLE COLORS: BLACK



UNLESS OTHERWISE SPECIFIED:
 DIMENSIONS ARE IN: INCHES[mm]
 TOLERANCES: ANGULAR: ±2°
 TWO PLACE DECIMAL: ±.03
 THREE PLACE DECIMAL: ±.015

PROPRIETARY AND CONFIDENTIAL
 THE INFORMATION CONTAINED IN THIS DRAWING IS THE SOLE PROPERTY OF POLYCASE. ANY REPRODUCTION IN PART OR AS A WHOLE WITHOUT THE WRITTEN PERMISSION OF POLYCASE IS PROHIBITED.
 CAD FILE: NX-2416 ASSEMBLY

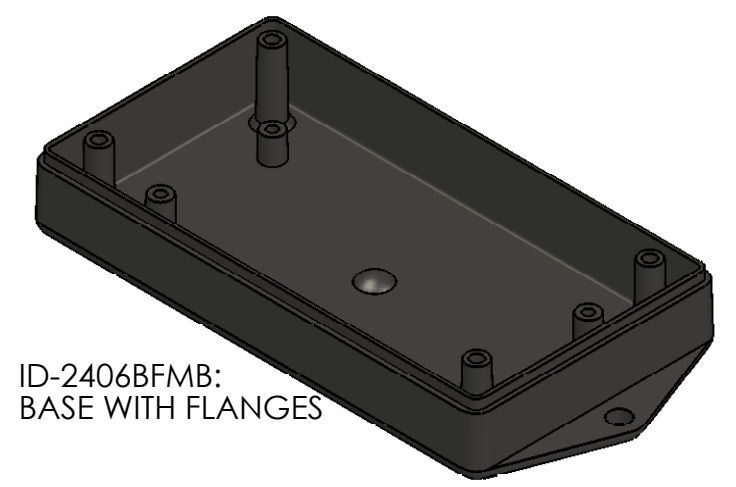
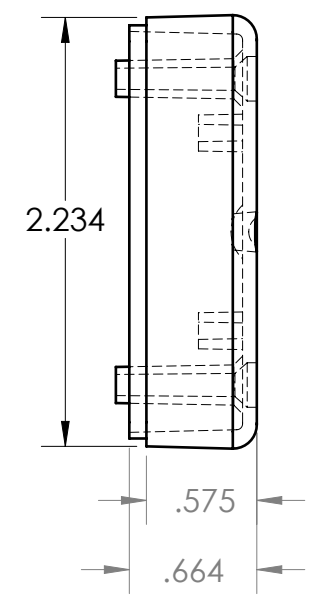
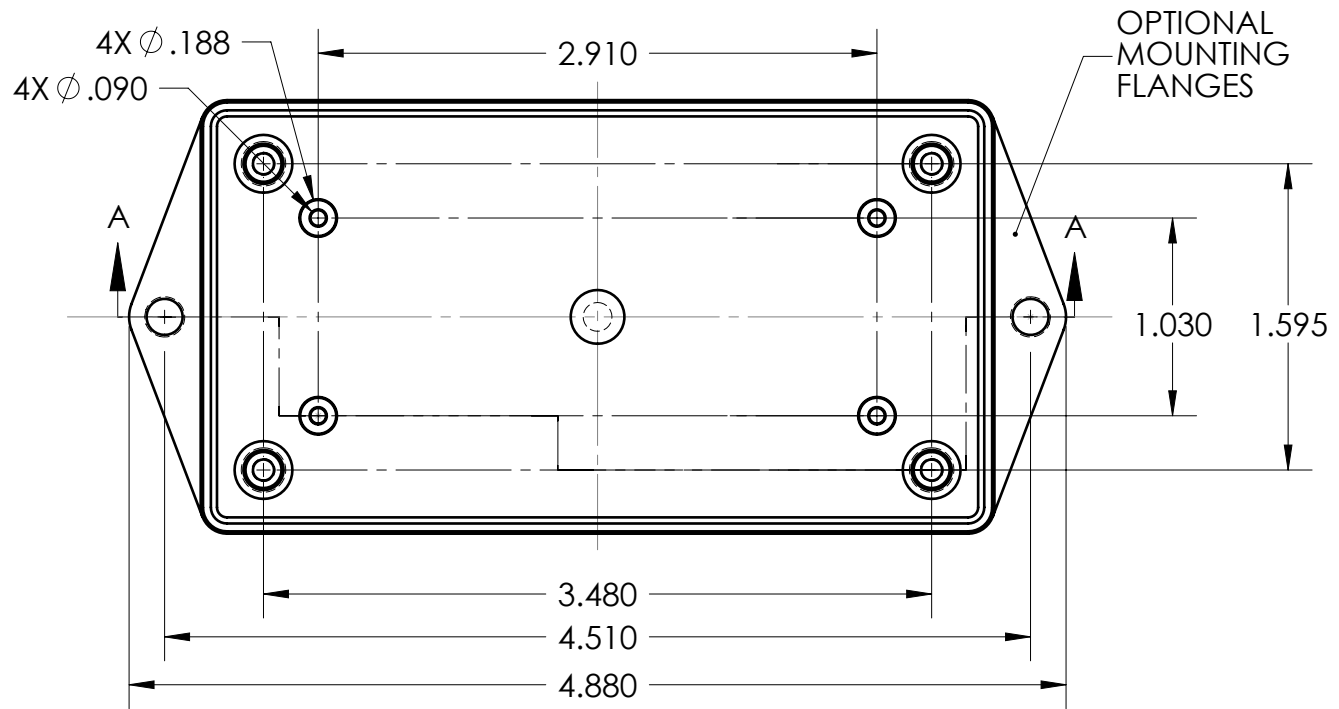
PART NO. NX-2416 ASSEMBLY		
PRODUCT -		
CLIENT -		
DRAWN	NAME	DATE
CHECKED	B.M.B.	3/25/2009

POLYCASE™
 YOUR PERFECT FIT
 1305 CHESTER IND. PARKWAY AVON, OHIO 44011-1083 U.S.A.
 PH#: 1-800-248-1233, 440-934-0444 FAX#: 440-934-0088

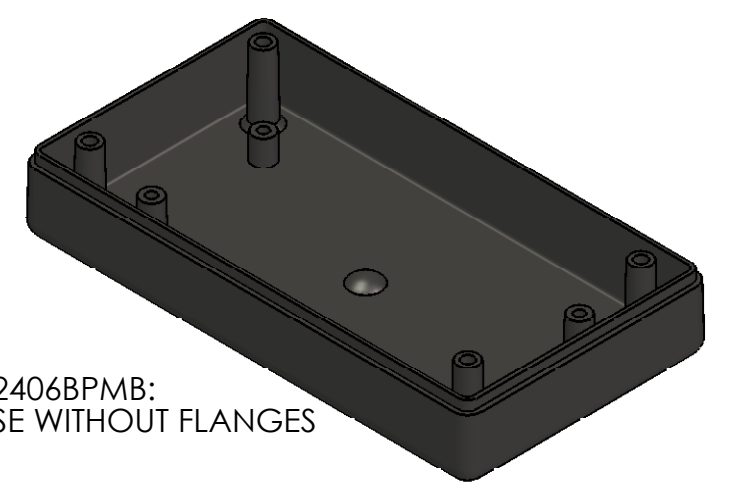
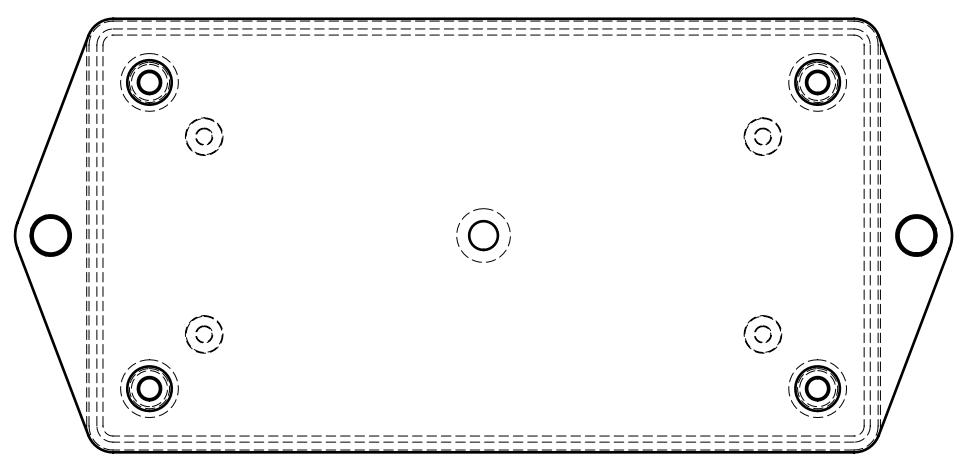
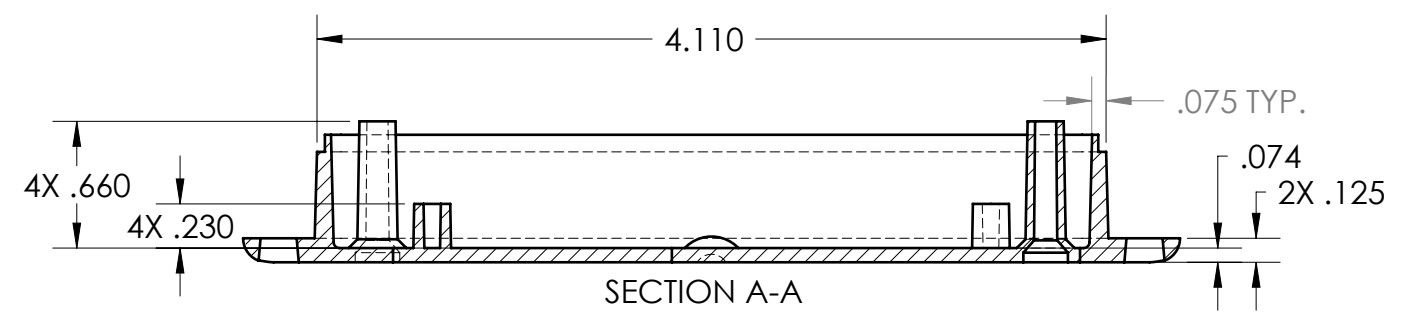
SIZE B	TITLE: Product Detail Drawing	REV 1
SCALE: 1:1	SHEET 1 OF 1	

REV.	DESCRIPTION	ZONE	BY	APPR'D	DATE
1	ADDED ID-2406B-PCB RECOMMENDED PCB	B2 D2	D.M.F.	B.M.B.	3/12/2009
REVISIONS					

8 7 6 5 4 3 2 1



ID-2406BFMB:
BASE WITH FLANGES



ID-2406BPMB:
BASE WITHOUT FLANGES

UNLESS OTHERWISE SPECIFIED:
DIMENSIONS ARE IN: INCHES[mm]
TOLERANCES: ANGULAR: ±2°
TWO PLACE DECIMAL: ±.03
THREE PLACE DECIMAL: ±.015
PRINTED GRAPHICS: ±.010
PROPRIETARY AND CONFIDENTIAL
THE INFORMATION CONTAINED IN THIS
DRAWING IS THE SOLE PROPERTY OF
POLYCASE. ANY REPRODUCTION IN PART
OR AS A WHOLE WITHOUT THE WRITTEN
PERMISSION OF POLYCASE IS PROHIBITED.
CAD FILE: ID-2406B

PART NO. ID-2406B		
PRODUCT -		
CLIENT -		
DRAWN	NAME	DATE
CHECKED	-	3/24/2009 12/31/2999

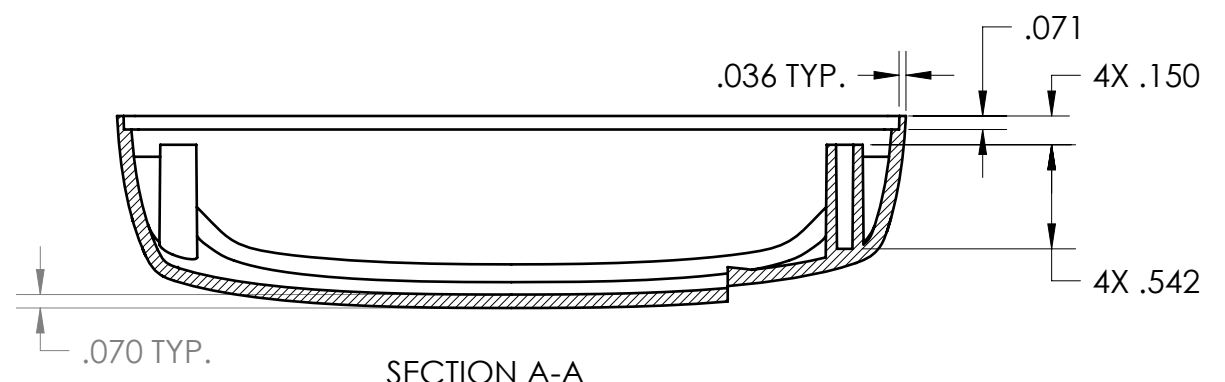
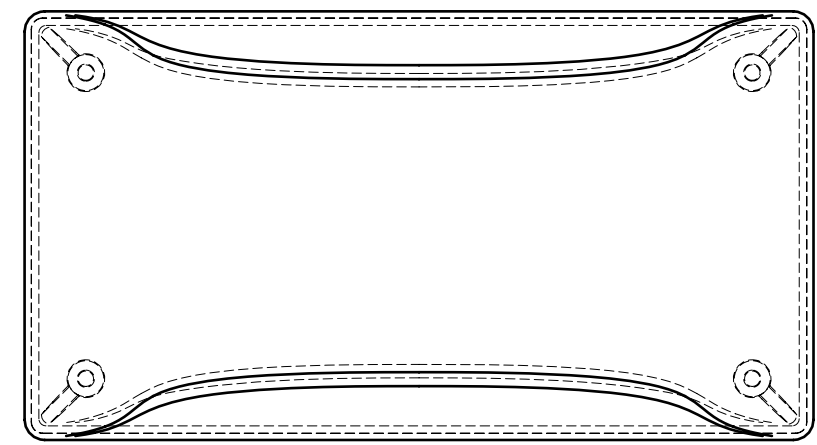
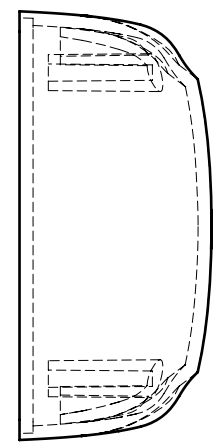
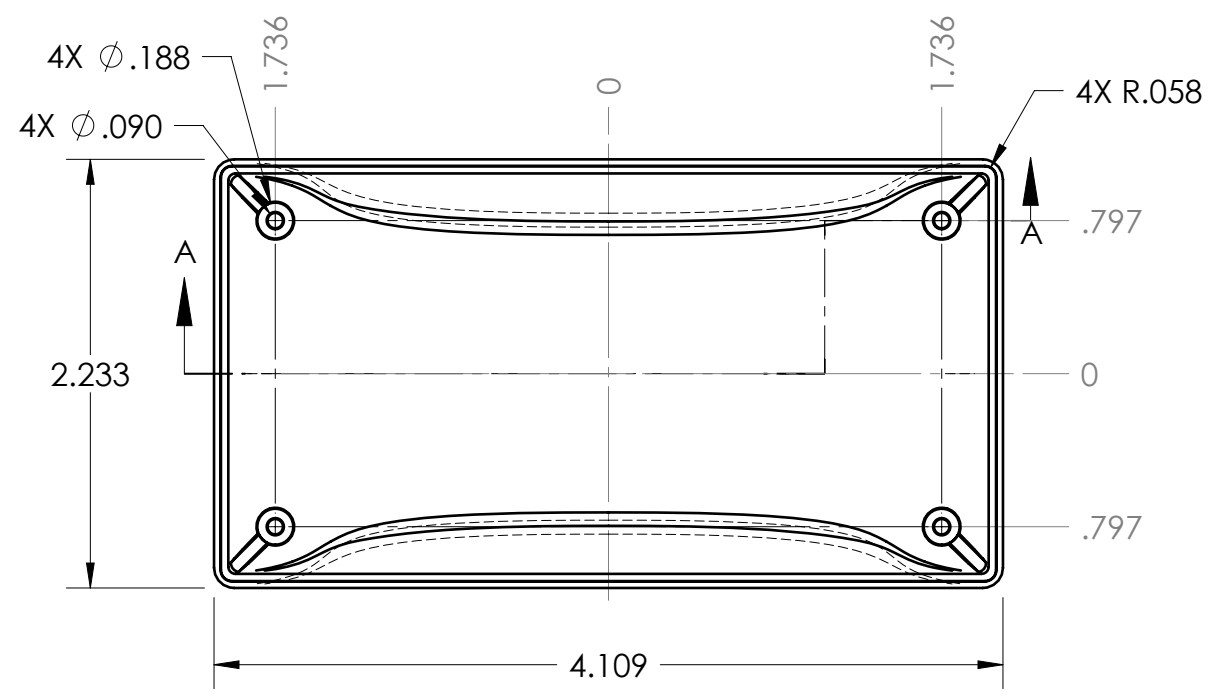
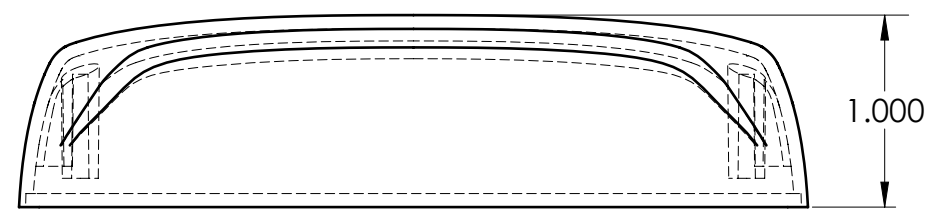
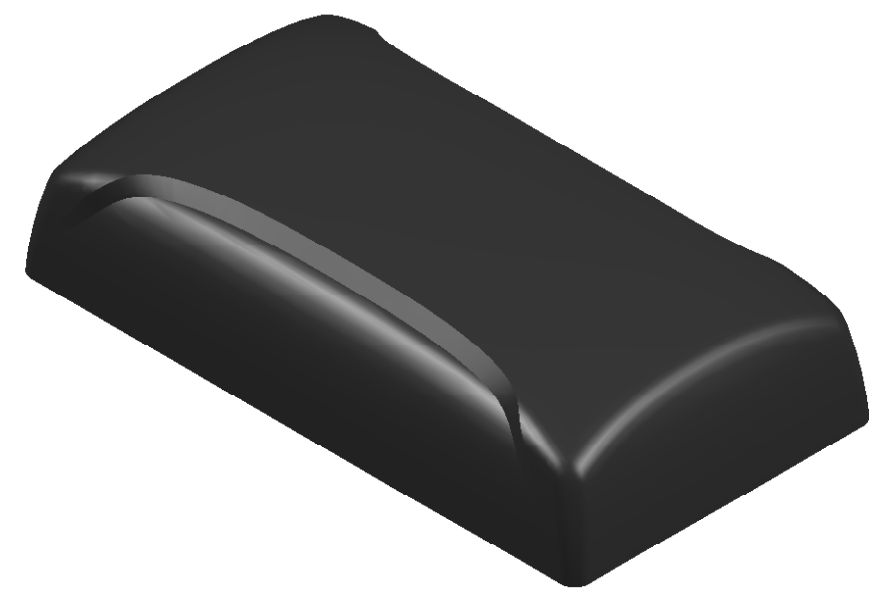
POLYCASE™
YOUR PERFECT FIT
1305 CHESTER IND. PARKWAY AVON, OHIO 44011-1083 U.S.A.
PH#: 1-800-248-1233, 440-934-0444 FAX#: 440-934-0088

SIZE B	TITLE: Product Detail Drawing	REV -
SCALE: 1:1	SHEET 1 OF 1	

ZONE	REV.	DESCRIPTION	BY	APPR'D	DATE
REVISIONS					

8 7 6 5 4 3 2 1

8 7 6 5 4 3 2 1



SECTION A-A

UNLESS OTHERWISE SPECIFIED:
 DIMENSIONS ARE IN: INCHES[mm]
 TOLERANCES: ANGULAR: ±2°
 TWO PLACE DECIMAL: ±.03
 THREE PLACE DECIMAL: ±.015

PROPRIETARY AND CONFIDENTIAL
 THE INFORMATION CONTAINED IN THIS
 DRAWING IS THE SOLE PROPERTY OF
 POLYCASE. ANY REPRODUCTION IN PART
 OR AS A WHOLE WITHOUT THE WRITTEN
 PERMISSION OF POLYCASE IS PROHIBITED.
 CAD FILE: GS-2410B

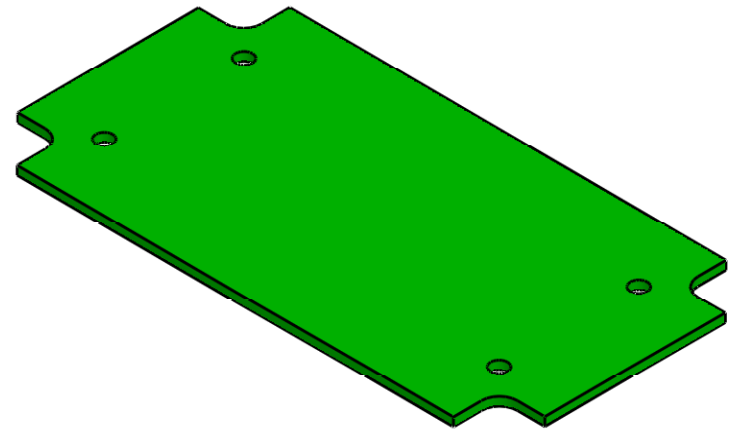
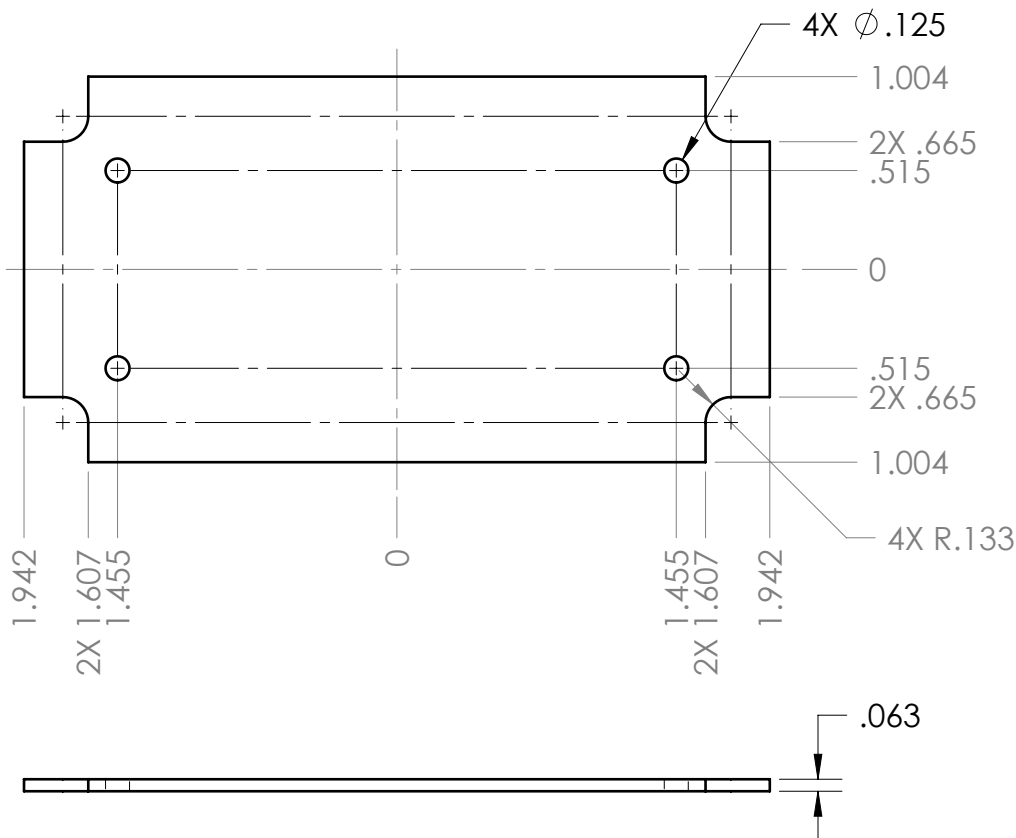
PART NO. GS-2410BP		
PRODUCT -		
CLIENT -		
DRAWN	NAME	DATE
CHECKED	B.M.B.	1/20/2009

POLYCASE™
 YOUR PERFECT FIT
 1305 CHESTER IND. PARKWAY AVON, OHIO 44011-1083 U.S.A.
 PH#: 1-800-248-1233, 440-934-0444 FAX#: 440-934-0088



SIZE B	TITLE: Product Detail Drawing	REV 1
SCALE: 1:1		SHEET 1 OF 1

REV.	DESCRIPTION	ZONE	BY	APPR'D	DATE
1	INITIAL RELEASE, UPDATED TOLERANCES IN TITLE BLOCK		D.M.F.	B.M.B.	3/23/2009
REVISIONS					

8 7 6 5 4 3 2 1



NOTES:
 1. INCLUDES .031 CLEARANCE BETWEEN INSIDE WALLS AND SCREW TOWERS.

UNLESS OTHERWISE SPECIFIED: DIMENSIONS ARE IN: INCHES [mm] TOLERANCES: ANGULAR: $\pm 2^\circ$ TWO PLACE DECIMAL: $\pm .010$ THREE PLACE DECIMAL: $\pm .005$ PRINTED GRAPHICS: $\pm .010$					PART NO. ID-2406B-PCB		 POLYCASE™ YOUR PERFECT FIT 1305 CHESTER IND. PARKWAY AVON, OHIO 44011-1083 U.S.A. PH#: 1-800-248-1233, 440-934-0444 FAX#: 440-934-0088					
PROPRIETARY AND CONFIDENTIAL THE INFORMATION CONTAINED IN THIS DRAWING IS THE SOLE PROPERTY OF POLYCASE. ANY REPRODUCTION IN PART OR AS A WHOLE WITHOUT THE WRITTEN PERMISSION OF POLYCASE IS PROHIBITED. CAD FILE: ID-2406B-PCB					PRODUCT -				CLIENT -	SIZE A	TITLE: PCB Drawing	REV -
ZONE	REV.	DESCRIPTION	BY	APPR'D	DATE	DRAWN	NAME	DATE	SCALE: 1:1			SHEET 1 OF 1
	5	REVISIONS		4		CHECKED	B.M.B.	3/24/2009				

5

4

3

2

1