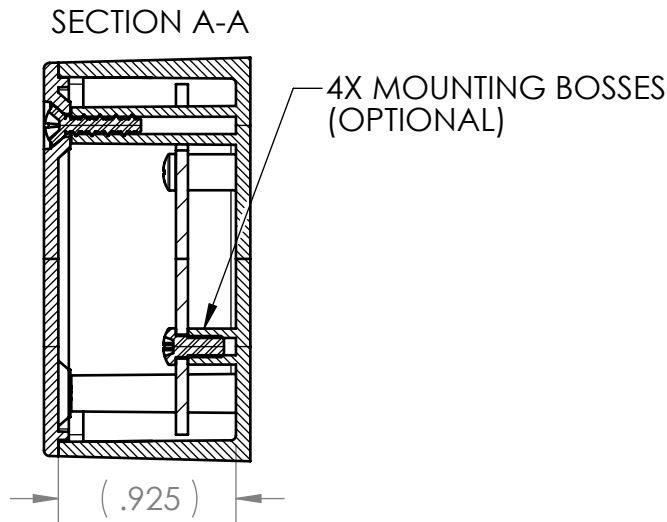
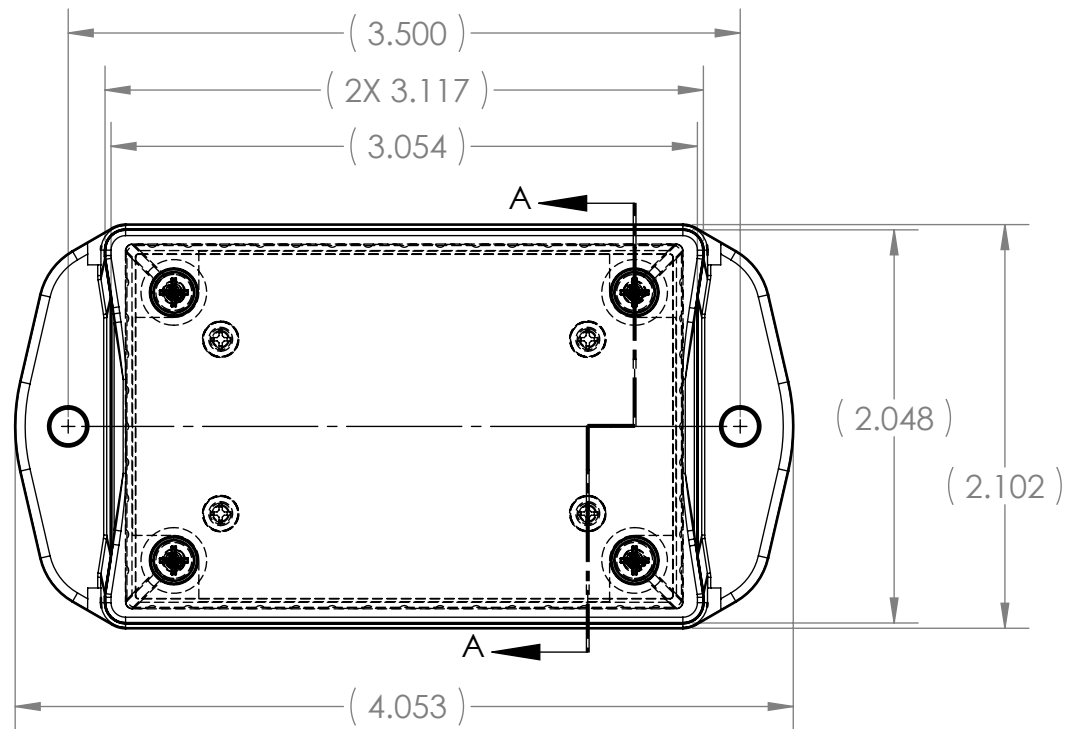
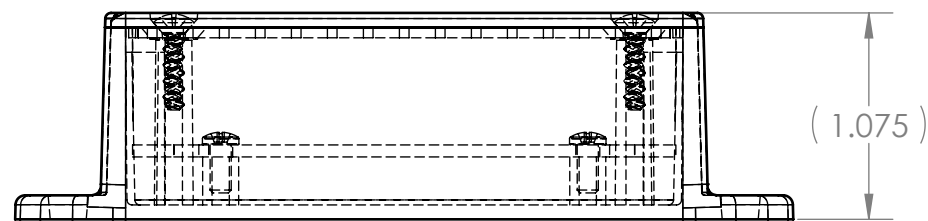


ITEM NO.	PART NUMBER	Revision	DESCRIPTION	MATERIAL	BT-2310MB/QTY.	BT-2310XX/QTY.
1	BT-23C	1	BT SERIES COVER, BLACK	ABS	1	1
2	BT-2310BMB	-	BT SERIES BASE, BLACK, WITH MOUNTING BOSSES	ABS	1	-
3	BT-2310BXX	-	BT SERIES BASE, BLACK, WITHOUT MOUNTING BOSSES	ABS	-	1
4	SCREWS-LP-BR	-	4-24 X .5 CROSS OVAL C'SUNK HEAD THREAD FORMING SCREW	STEEL	4	4



BT-2310BMB-PCB:
PCB TEMPLATE
(REF. ONLY)

(4) SCREWS-MBR:
PCB SCREW: 4-24 X .25
THREAD FORMING SCREW
(SOLD SEPARATELY)



BT-2310XX
BT SERIES ASSEMBLY, BLACK,
WITHOUT MOUNTING BOSSES
FLAME RATING: UL94V-0



BT-2310MB
BT SERIES ASSEMBLY, BLACK, WITH
MOUNTING BOSSES
FLAME RATING: UL94V-0

NOTES:
1. MOUNTING BOSSES ACCEPT A #4 X .25 THREAD FORMING SCREW. SCREWS ARE AVAILABLE FROM POLYCASE.

UNLESS OTHERWISE SPECIFIED:
DIMENSIONS ARE IN: INCHES [mm]
TOLERANCES: ANGULAR: ±2°
TWO PLACE DECIMAL: ±.030
THREE PLACE DECIMAL: ±.015
PRINTED GRAPHICS: ±.010
PROPRIETARY AND CONFIDENTIAL
THE INFORMATION CONTAINED IN THIS
DRAWING IS THE SOLE PROPERTY OF
POLYCASE. ANY REPRODUCTION IN PART
OR AS A WHOLE WITHOUT THE WRITTEN
PERMISSION OF POLYCASE IS PROHIBITED.
CAD FILE: BT-2310 ASS'Y

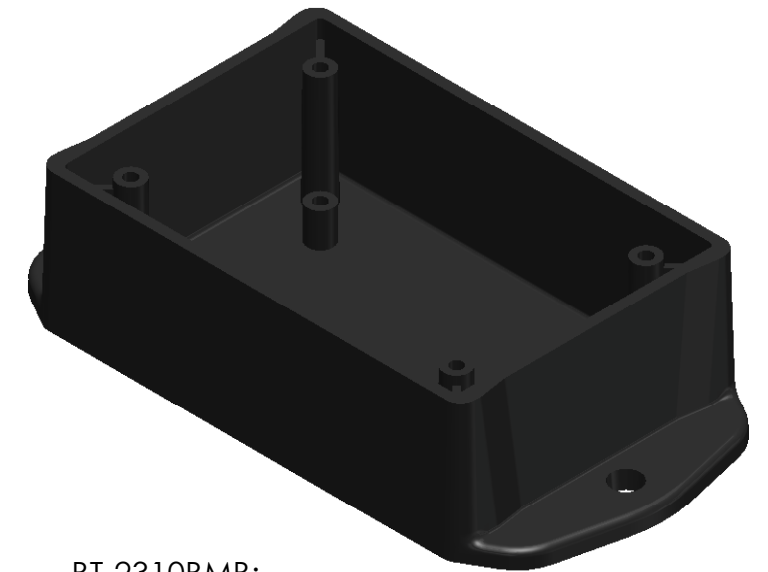
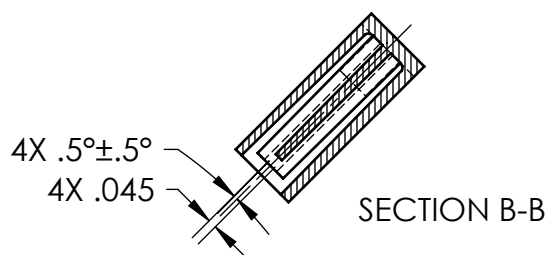
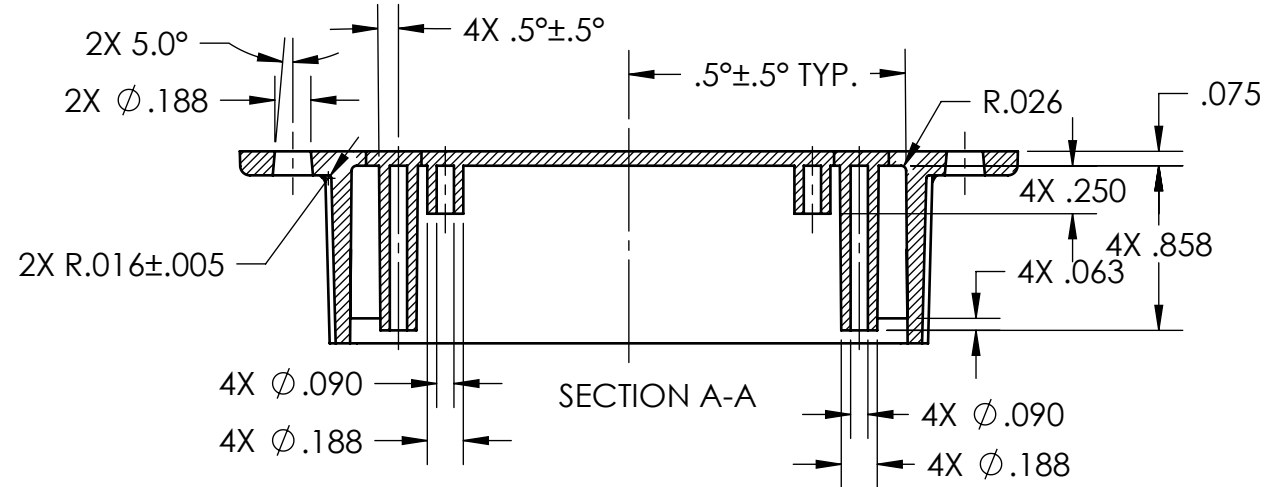
PART NO.
BT-2310 ASS'Y
PRODUCT
-
CLIENT
-
DRAWN
D.M.F. 8/20/2009
CHECKED
B.M.B. 12/11/2009



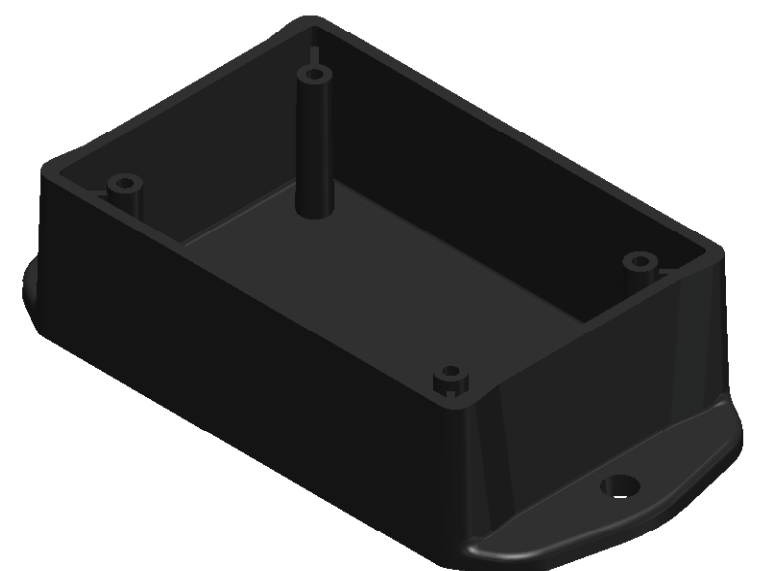
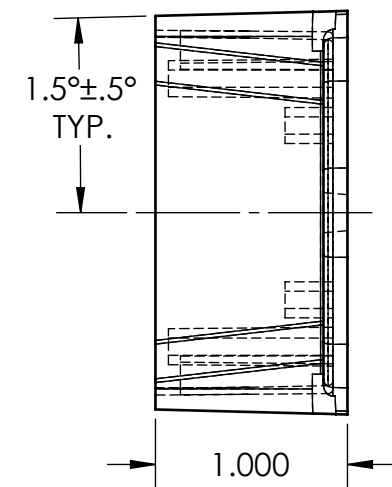
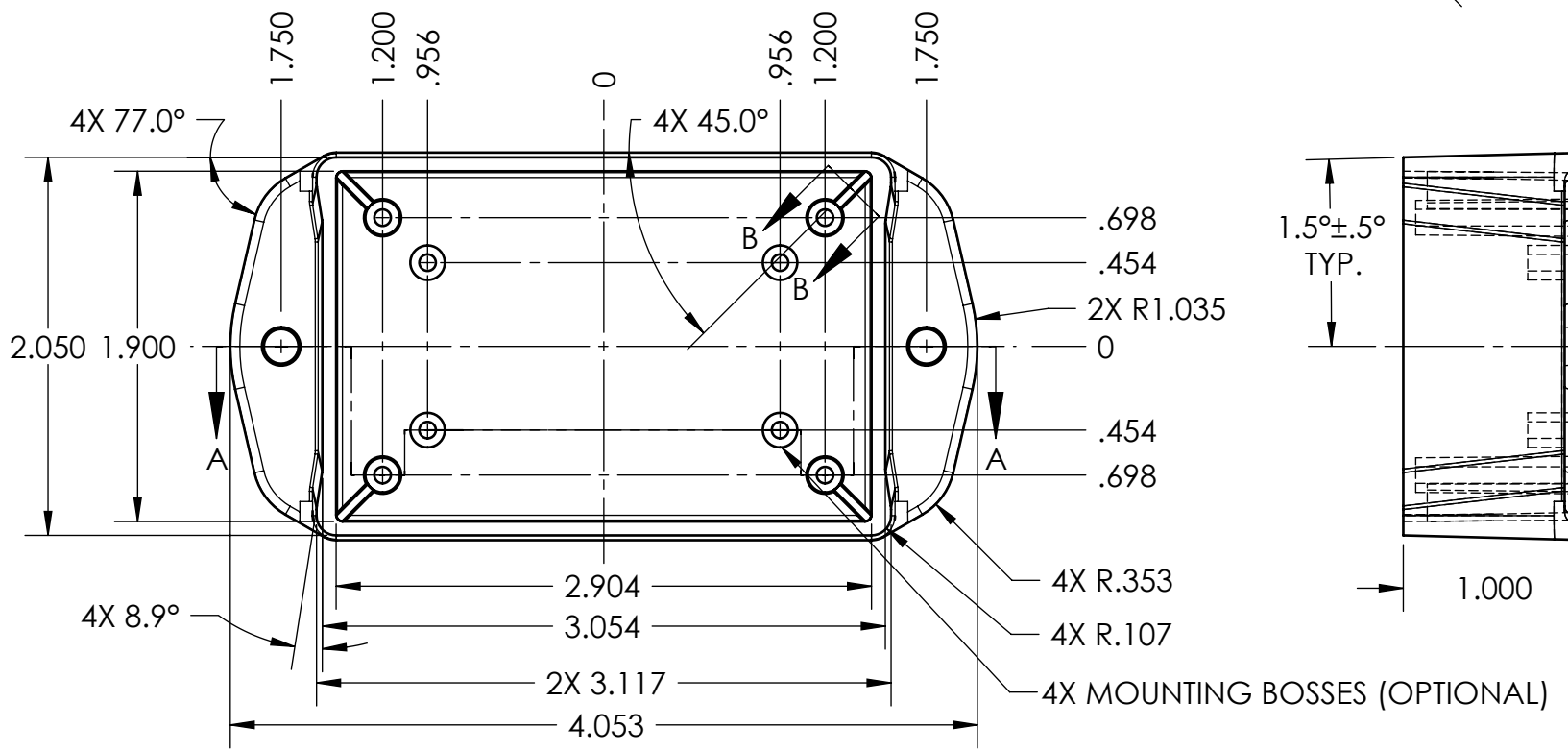
SIZE
B
TITLE:
Product Assembly
Drawing
REV
-
SCALE: 1:1
SHEET 1 OF 1

REV.	DESCRIPTION	ZONE	BY	APPR'D	DATE
REVISIONS					

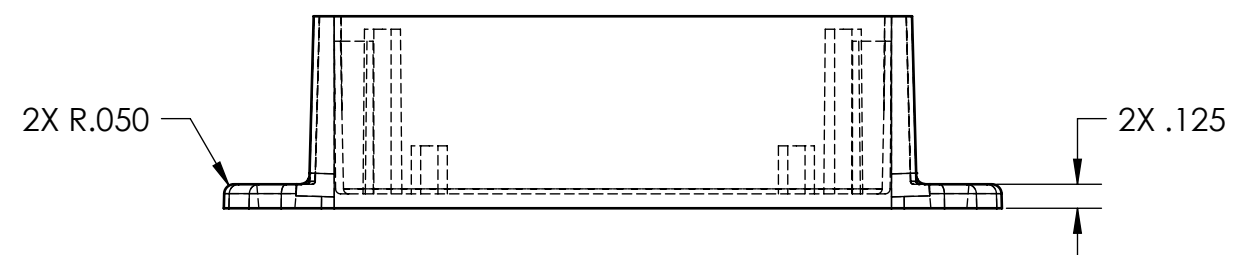
8 7 6 5 4 3 2 1



BT-2310BMB:
BT SERIES BASE, BLACK, WITH MOUNTING BOSSES
MATERIAL: ABS



BT-2310BXX:
BT SERIES BASE, BLACK, WITHOUT MOUNTING BOSSES
MATERIAL: ABS



NOTES:
1. MOUNTING BOSSES ACCEPT A #4 X .25 THREAD FORMING SCREW. SCREWS ARE AVAILABLE FROM POLYCASE.

REV.	DESCRIPTION	ZONE	BY	APPR'D	DATE
REVISIONS					

UNLESS OTHERWISE SPECIFIED:
DIMENSIONS ARE IN: INCHES[mm]
TOLERANCES: ANGULAR: ±2°
TWO PLACE DECIMAL: ±.030
THREE PLACE DECIMAL: ±.015
PRINTED GRAPHICS: ±.010

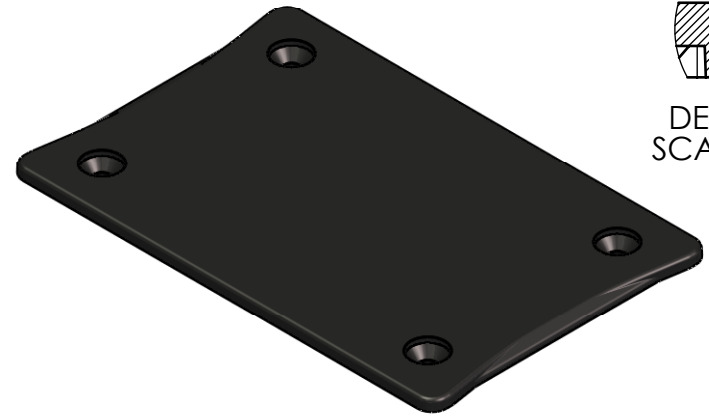
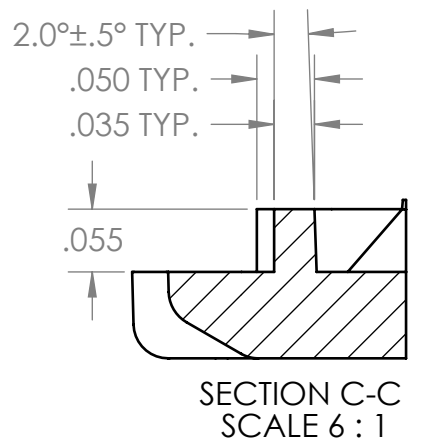
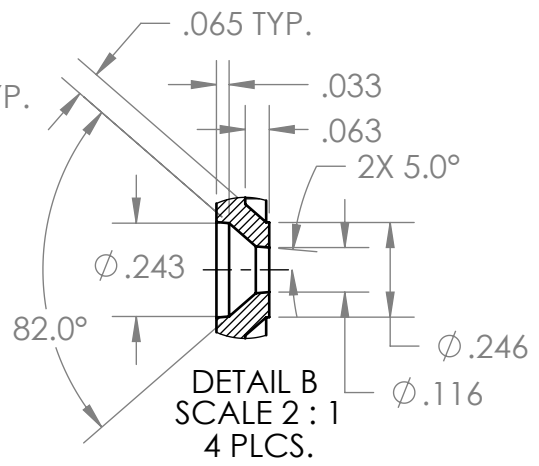
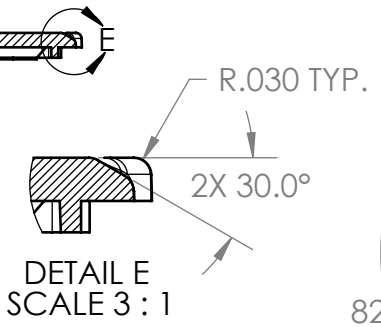
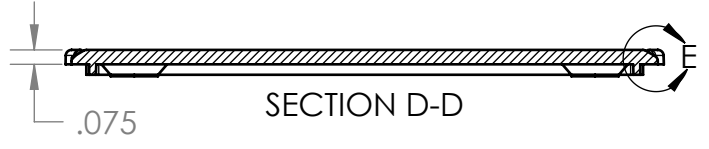
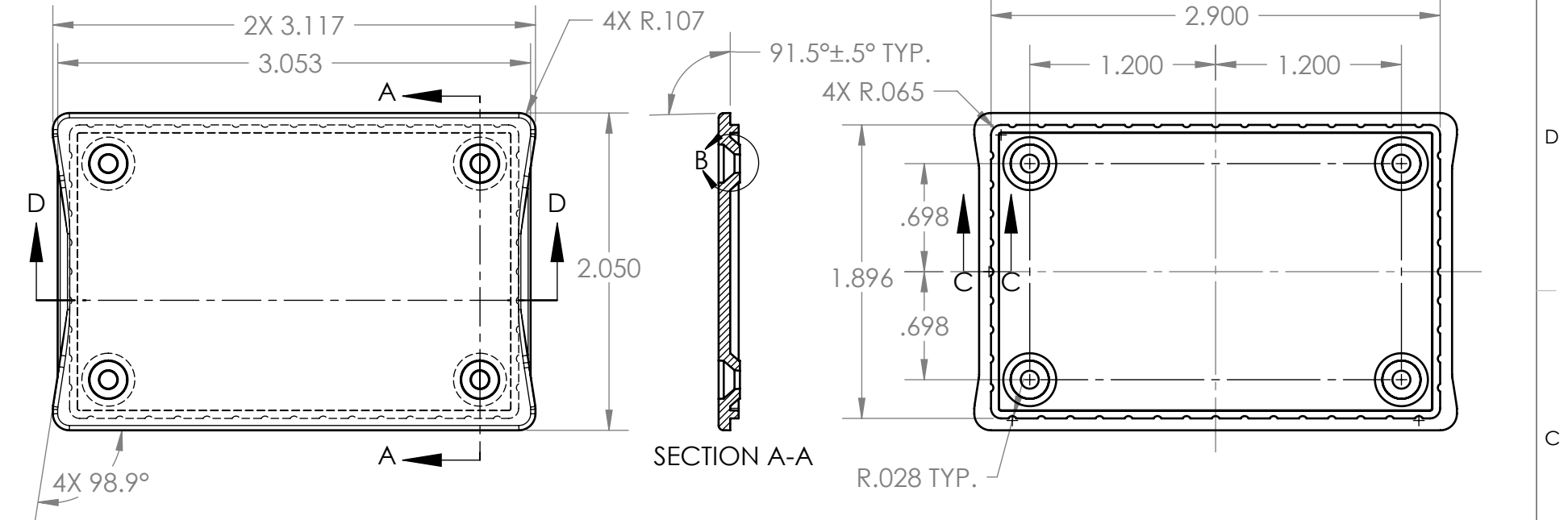
PROPRIETARY AND CONFIDENTIAL
THE INFORMATION CONTAINED IN THIS
DRAWING IS THE SOLE PROPERTY OF
POLYCASE. ANY REPRODUCTION IN PART
OR AS A WHOLE WITHOUT THE WRITTEN
PERMISSION OF POLYCASE IS PROHIBITED.
CAD FILE: BT-2310B

PART NO. BT-2310B		
PRODUCT -		
CLIENT -		
DRAWN	NAME	DATE
CHECKED	B.M.B.	8/24/2009


POLYCASE™
YOUR PERFECT FIT
1305 CHESTER IND. PARKWAY AVON, OHIO 44011-1083 U.S.A.
PH#: 1-800-248-1233, 440-934-0444 FAX#: 440-934-0088

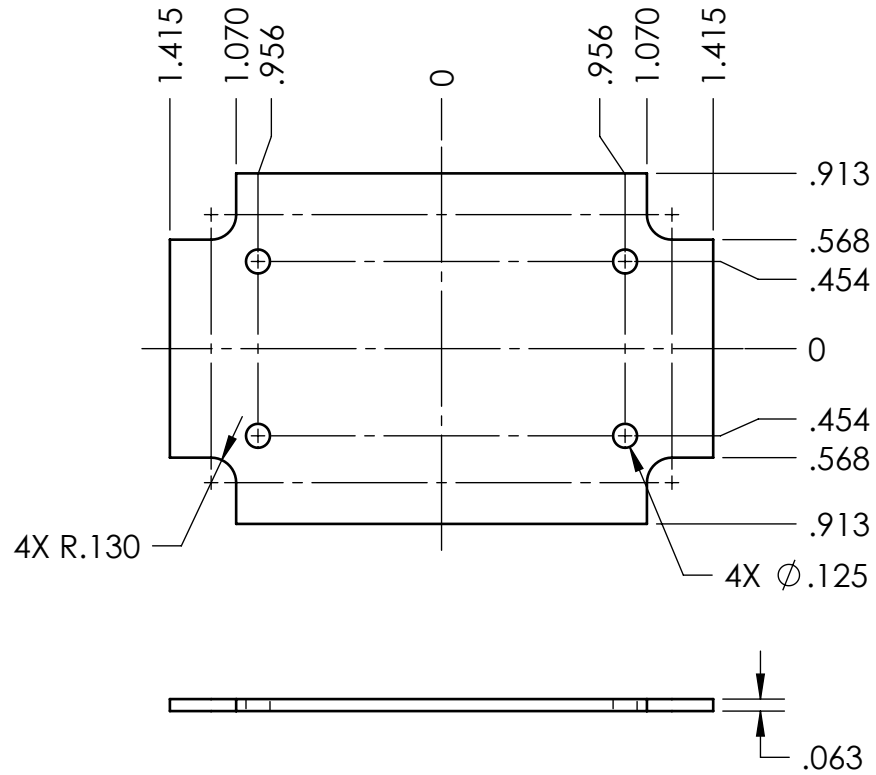
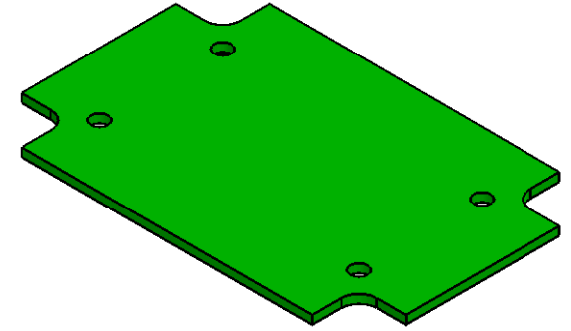
SIZE B	TITLE: Product Detail Drawing	REV -
SCALE: 1:1	SHEET 1 OF 1	

8 7 6 5 4 3 2 1




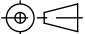
NOTES:
1. MATERIAL: ABS

UNLESS OTHERWISE SPECIFIED: DIMENSIONS ARE IN: INCHES [mm] TOLERANCES: ANGULAR: ±2° TWO PLACE DECIMAL: ±.030 THREE PLACE DECIMAL: ±.015 PRINTED GRAPHICS: ±.010	PART NO. BT-23C		 POLYCASE™ YOUR PERFECT FIT 1305 CHESTER IND. PARKWAY AVON, OHIO 44011-1083 U.S.A. PH#: 1-800-248-1233, 440-934-0444 FAX#: 440-934-0088					
	PRODUCT -							
PROPRIETARY AND CONFIDENTIAL THE INFORMATION CONTAINED IN THIS DRAWING IS THE SOLE PROPERTY OF POLYCASE. ANY REPRODUCTION IN PART OR AS A WHOLE WITHOUT THE WRITTEN PERMISSION OF POLYCASE IS PROHIBITED. CAD FILE: BT-23C	CLIENT -		SIZE A					
	<table border="1"> <thead> <tr> <th>NAME</th> <th>DATE</th> </tr> </thead> <tbody> <tr> <td>D.M.F.</td> <td>7/30/2009</td> </tr> <tr> <td>B.M.B.</td> <td>8/11/2009</td> </tr> </tbody> </table>		NAME	DATE	D.M.F.	7/30/2009	B.M.B.	8/11/2009
NAME	DATE							
D.M.F.	7/30/2009							
B.M.B.	8/11/2009							
DRAWN		REV 1						
CHECKED		SCALE: 1:1	SHEET 1 OF 1					



NOTES:

1. INCLUDES .031 CLEARANCE WITH THE INTERIOR OF BT-2310BMB WHEN UTILIZING THE MOUNTING BOSSSES.

UNLESS OTHERWISE SPECIFIED: DIMENSIONS ARE IN: INCHES[mm] TOLERANCES: ANGULAR: $\pm 2^\circ$ TWO PLACE DECIMAL: $\pm .010$ THREE PLACE DECIMAL: $\pm .005$ PRINTED GRAPHICS: $\pm .010$		PART NO. BT-2310MB-PCB		 POLYCASE™ YOUR PERFECT FIT 1305 CHESTER IND. PARKWAY AVON, OHIO 44011-1083 U.S.A. PH#: 1-800-248-1233, 440-934-0444 FAX#: 440-934-0088	
PROPRIETARY AND CONFIDENTIAL THE INFORMATION CONTAINED IN THIS DRAWING IS THE SOLE PROPERTY OF POLYCASE. ANY REPRODUCTION IN PART OR AS A WHOLE WITHOUT THE WRITTEN PERMISSION OF POLYCASE IS PROHIBITED. CAD FILE: BT-2310MB-PCB		PRODUCT -			
CLIENT -		SIZE A	TITLE: PCB Template		REV -
DRAWN D.M.F. 8/24/2009		CHECKED B.M.B. 12/11/2009		SCALE: 1:1	
SHEET 1 OF 1				SHEET 1 OF 1	

ZONE	REV.	DESCRIPTION	BY	APPR'D	DATE
REVISIONS					

5

4

3

2

1