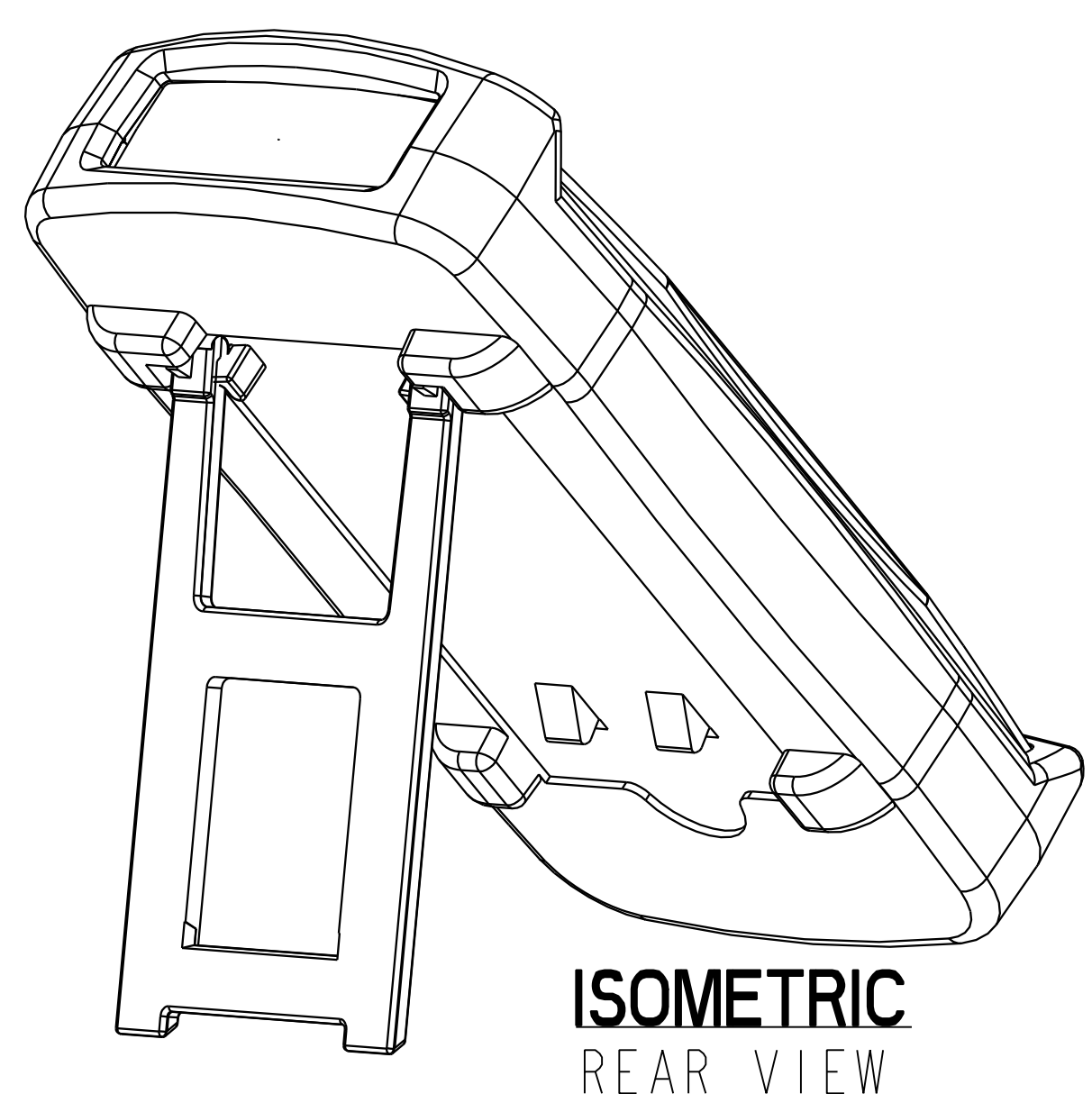


NOTE:
 XPM-STAND P/M 87371-01
 1. THIS BOOT CAN BE USED WITH THE XPM OR XPM-9VB/2AA ENCLOSURE. FOR THE HOUSING DIMENSIONS FOR THE PLASTIC XPM SERIES ENCLOSURES, REFER TO THEIR SPECIFIC USER DIAGRAM.



PACITEC®
 1-610-361-4200

XPM-RB

VISIT **PACITEC®**
 ON THE WORLD WIDE WEB
www.pacitecenclosures.com

COLOR / MATERIAL / CODE		
COLOR	94HB	94V-0
BLACK	000	028
PC BONE	039	060

INSERT AREAS ARE SECTIONS IN OUR TOOLS THAT CAN BE REMOVED AND REPLACED WITH CUSTOMER SPECIFIC DETAILS

DRAWING NUMBER	REV
115269	01